

Three-phase meter installation guide

1. Scope

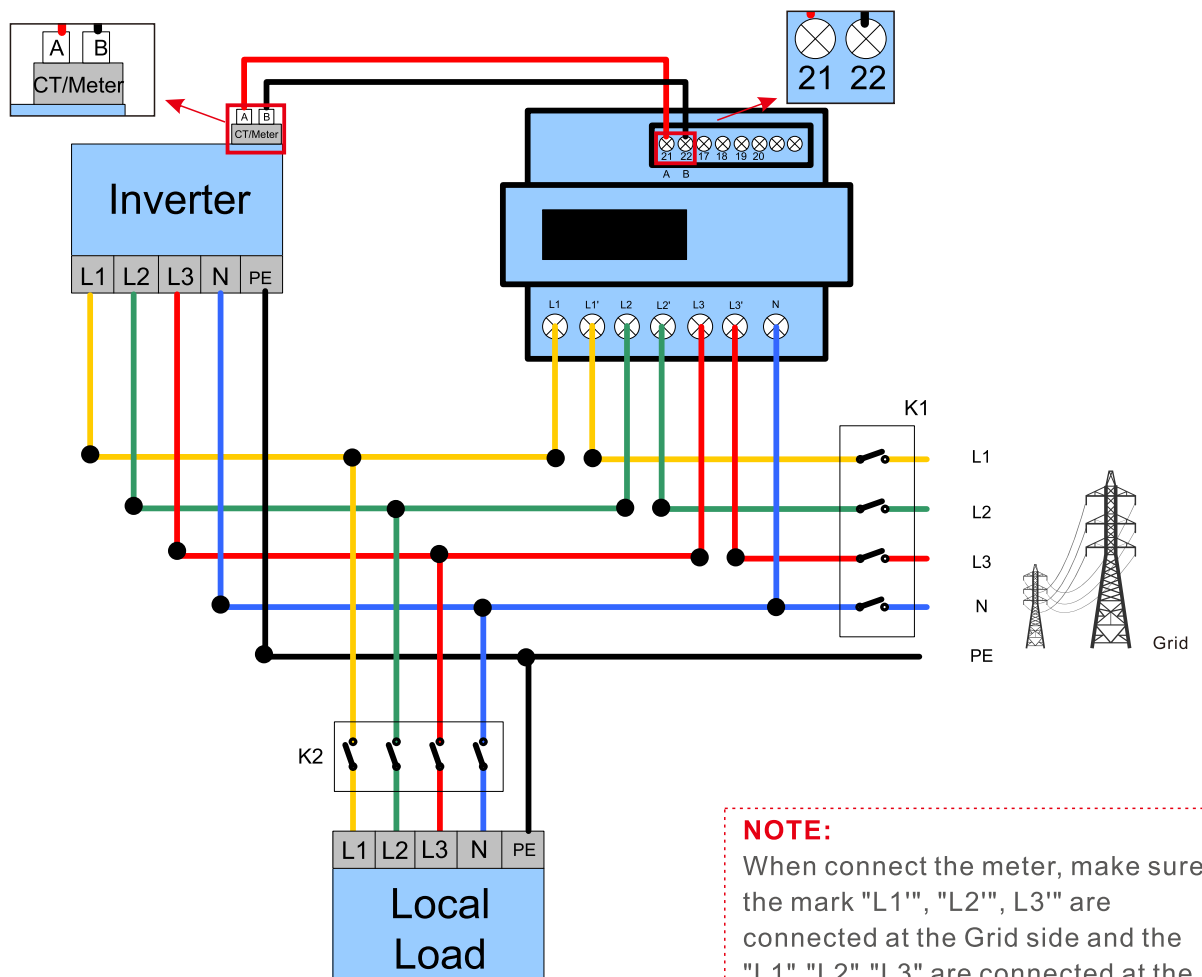
This type of inverter integrate the export power limitation function, to use this function, please refer this installation guide to install the three-phase meter and set the inverter.

2. Three-phase installation

The three-phase meter



System drawing



3. Setting on the inverter (default setting is "OFF")

Enter the menu.

Advanced Settings → 0010 → Internal EPM Set → Mode Select → Meter in Grid → Select "ON"